

ECM WALK-IN EVAPORATOR MOTOR & BLADE PACKAGE

Introducing the **Polar Pack 4**, the future of energy efficiency for walk in refrigeration. A drop-in replacement kit option for existing evaporator fans & motors, everything you need for a retrofit in one box.

Advanced EC Motors provides significant and immediate energy reduction while maintaining optimal performance.

Cast resin pre-impregnated **carbon fiber fan blades** have incredible durability. A sturdy and lightweight alternative to aluminum fan blades, these blades efficiently move air and guarantee dexterity.

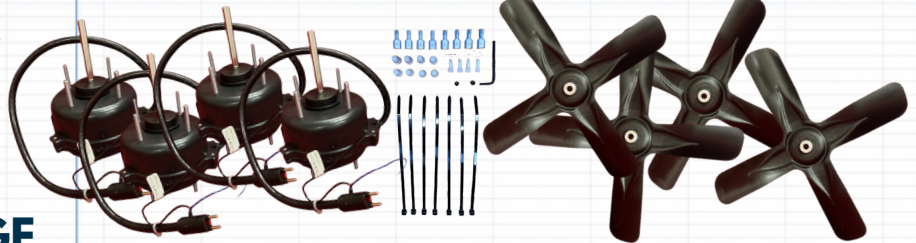
This kit is designed to **reduce energy consumption** while providing outstanding grit.

Kit will work for most **walk-in coolers and freezers** suitable for both wall & ceiling mounted evaporators.

Assembled In:
USA



BASELINE



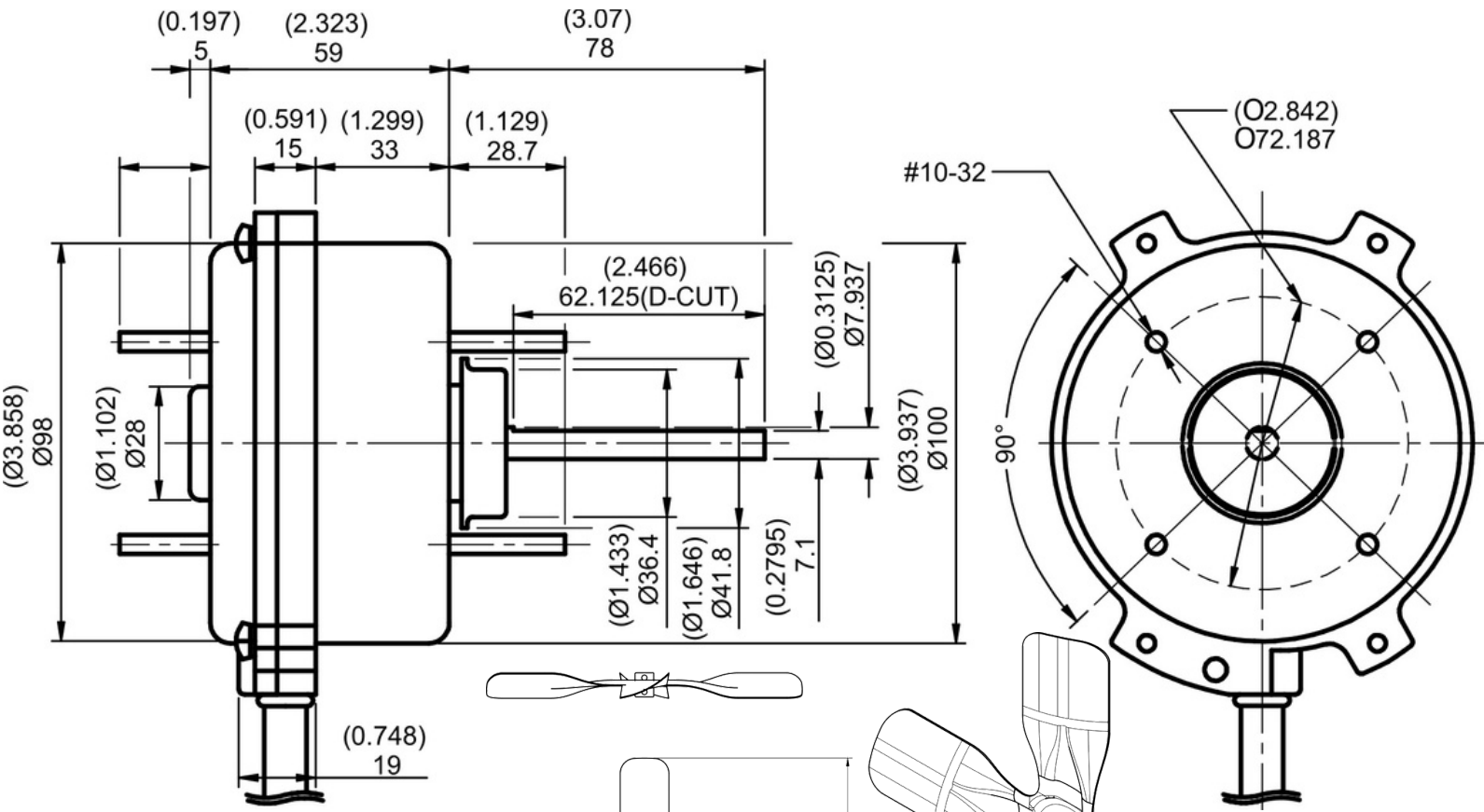
**EGAUGE
READING**

AFTER FRIDGEWIZE EC MOTOR INSTALL

AFTER MOTOR
& BLADE

- Quick & Simple Fan Blade & Motor Replacement
- Energy Consumption Reduction - up to 70%
- Eligible for Prescriptive Rebates in Most States
- UL/CUL Approved - IP67 Enclosure
- Durable Carbon Fiber Fan Blade
- Dual Voltage & Dual Rotation Motors
- **WARRANTY** - Motors 1 Year | Blades 5 Years

POLAR PACK 4



PP4Q12H

MOTOR MECHANICAL DATA

DA BEARING	BALL
NDE BEARING	BALL
SHAFT DIAMETER	0.313"
SHAFT LENGTH	3"
GREASABLE	NO

MOTOR ELECTRICAL DATA

RATED MOTOR OUTPUT POWER	1/15 HP, 0.05 KW
RATED MOTOR SPEED	1550 RPM
RATED MOTOR VOLTAGE	115V, 230V
RATED MOTOR CURRENT	0.60-0.72/0.3-0.36 AMP
PHASE	1
POLES	2
FREQUENCY	50/60 HZ
OPERATING TEMPERATURE	-40°C - 55°C
MOTOR RATING	IP67

MOTOR APPROVALS

AGENCY APPROVALS	UL & cUL
------------------	----------

TECHNICAL SPECIFICATIONS

MOTOR GENERAL DATA

FRAME	42
ENCLOSURE	TEAO
MOUNTING	BAND, HUB, ROUND BODY, STUD
NUMBER OF SPEEDS	2 SPEED
APPROXIMATE WEIGHT	3LB
DOUBLE DRILLED	NO
FRAME MATERIAL	ROLLED STEEL
C-DIMENSION	6.4"
ROTATION	REVERSIBLE
REMOVABLE FEET	NO
ORIENTATION	HORIZONTAL

BLADE MECHANICAL DATA

PROPELLER DIAMETER	12 INCHES
NO. OF BLADES	4
BORE DIAMETER	5/16 INCH
MOTOR HP	1/25 - 1/15 HP
OPERATING RPM	1550 RPM
CFM @ 0.2" SP	850 CFM
ROTATION	CW FROM SHAFT END
BLADE MATERIAL	CARBON FIBER
BLADE WEIGHT	1.8 OZ
MAX RPM	1850
COUNTRY OF ORIGIN	UNITED STATES